

CMUD2836
CMUD2838

SURFACE MOUNT
ULTRAmimi™
DUAL HIGH SPEED SILICON
SWITCHING DIODES

ULTRAmimi™



SOT-523 CASE

Central™
Semiconductor Corp.

DESCRIPTION:

The CENTRAL SEMICONDUCTOR CMUD2836 and CMUD2838 types are ultra-high speed silicon switching diodes manufactured by the epitaxial planar process, in an epoxy molded ULTRAmimi™ surface mount package, designed for high speed switching applications.

The following configurations are available:

CMUD2836 DUAL, COMMON ANODE **MARKING CODE: 2CA**
CMUD2838 DUAL, COMMON CATHODE **MARKING CODE: 6CA**

MAXIMUM RATINGS: (T_A=25°C)

	SYMBOL		UNITS
Peak Repetitive Reverse Voltage	V _{RRM}	75	V
Average Forward Current	I _O	200	mA
Peak Forward Current	I _{FM}	300	mA
Power Dissipation	P _D	250	mW
Operating and Storage Junction Temperature	T _J , T _{stg}	-65 to +150	°C
Thermal Resistance	θ _{JA}	500	°C/W

ELECTRICAL CHARACTERISTICS PER DIODE: (T_A=25°C unless otherwise noted)

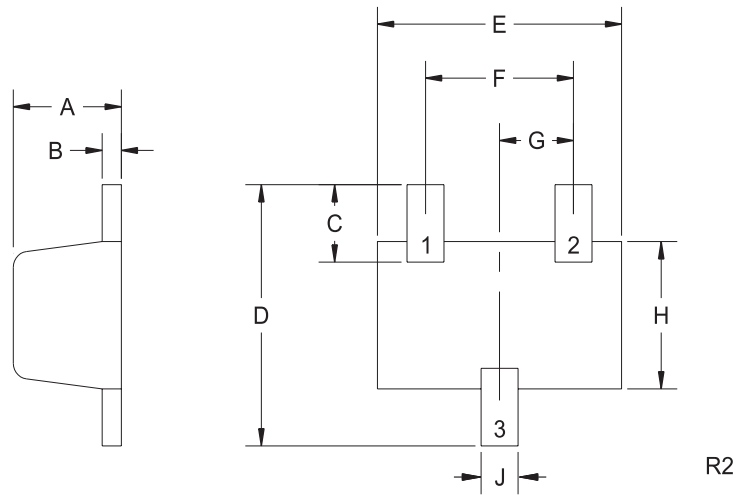
SYMBOL	TEST CONDITIONS	MIN	TYP	MAX	UNITS
I _R	V _R =50V			100	nA
BV _R	I _R =100μA	75			V
V _F	I _F =10mA			1.0	V
V _F	I _F =50mA			1.0	V
V _F	I _F =100mA			1.2	V
C _T	V _R =0, f=1 MHz		1.5	4.0	pF
t _{rr}	I _R =I _F =10mA, R _L =100Ω, Rec. to 1.0mA			4.0	ns

R4 (18-March 2004)

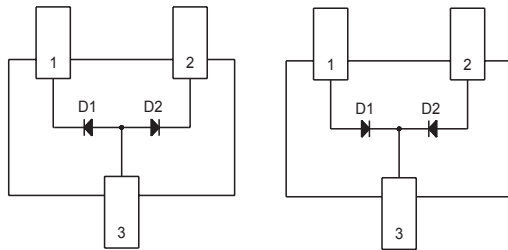
**SURFACE MOUNT
ULTRAmimiTM
DUAL HIGH SPEED SILICON
SWITCHING DIODES**

SOT-523 CASE - MECHANICAL OUTLINE

BOTTOM VIEW



R2



CMUD2836

Lead Code:

- 1) Cathode D1
- 2) Cathode D2
- 3) Anode D1, D2

MARKING CODE: 2CA

CMUD2838

Lead Code:

- 1) Anode D1
- 2) Anode D2
- 3) Cathode D1, D2

MARKING CODE: 6CA

SYMBOL	INCHES		MILLIMETERS	
	MIN	MAX	MIN	MAX
A	0.023	0.031	0.58	0.78
B	0.002	0.008	0.04	0.20
C	0.013	0.021	0.34	0.54
D	0.059	0.067	1.50	1.70
E	0.059	0.067	1.50	1.70
F	0.035	0.043	0.90	1.10
G	0.020		0.50	
H	0.031	0.039	0.78	0.98
J	0.010	0.014	0.25	0.35

SOT-523 (REV: R2)

R4 (18-March 2004)